

WL3139

32W Indirect Linear Up and Down Wall Light



Description

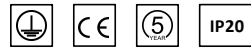
Built-in driver;
Wall Lamp for indoor use;
With Switch;

Finish

Black/White/Brass

Material

Aluminium



TECHNICAL CHARACTERISTICS

Light source

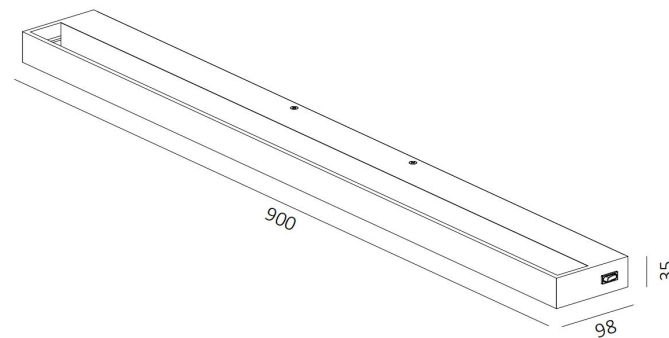
Light source: SMD LEDs
Output (W): 28.8W (800mA, 36V)
Total power consumption (W): 32W
Color temperature: 2700K/3000K/4000K
CRI: ≥ 90
Photobiological risk: RG1
Real Lumen: 2144lm
Qty Leds: 162
Lm/Real W: 67
Life Time: 50.000h L90B10
MacAdam steps: 3
UGR: 14

GEAR

This product is supplied with gear.
This product is phase cut dimming product.

Luminaire

Wall light suitable for indoor
and outdoor area
crossing: No
Warranty: 5 Years



The photograph may not match the reference exactly. Please read the product description to identify the finish.